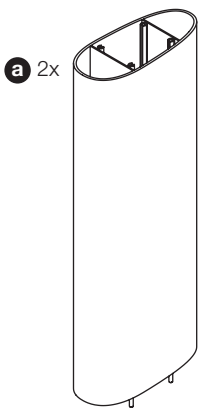
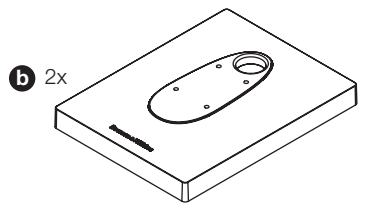


Formation FS Duo Assembly Instructions

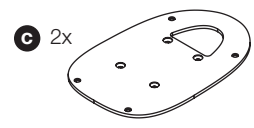
1



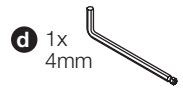
a 2x



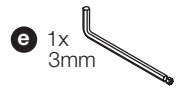
b 2x



c 2x



d 1x
4mm



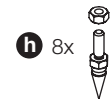
e 1x
3mm



f 16x



g 8x

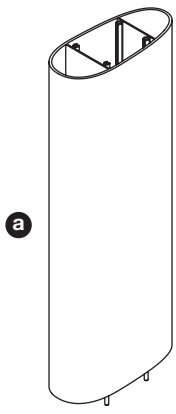


h 8x

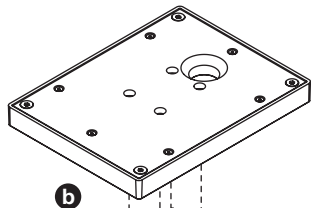
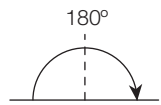


i 8x

2

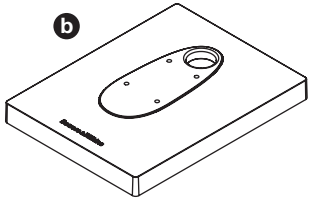


a



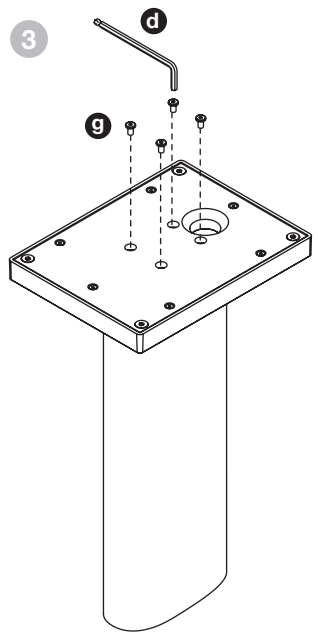
b

a



b

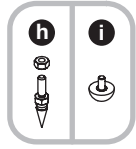
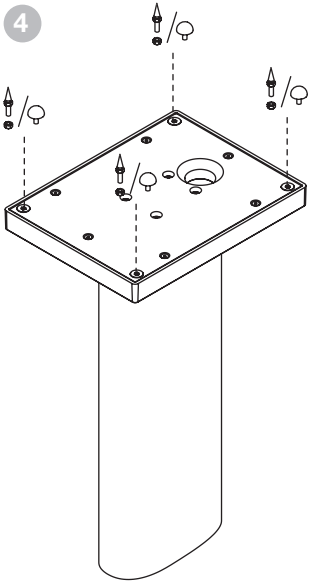
3



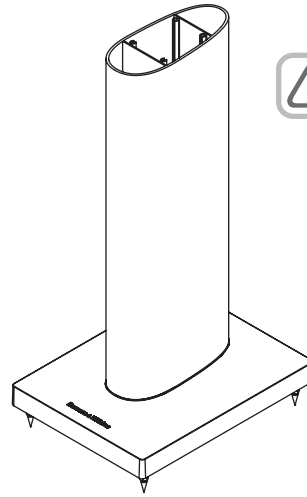
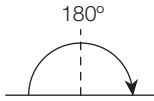
g

d

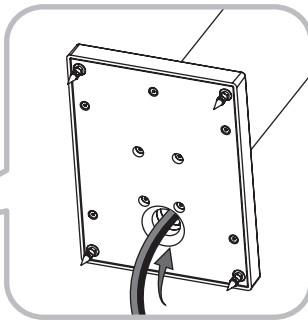
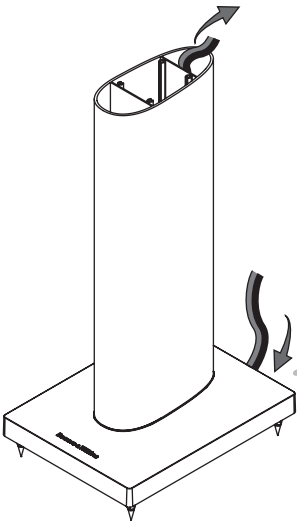
4



180°



5



6

